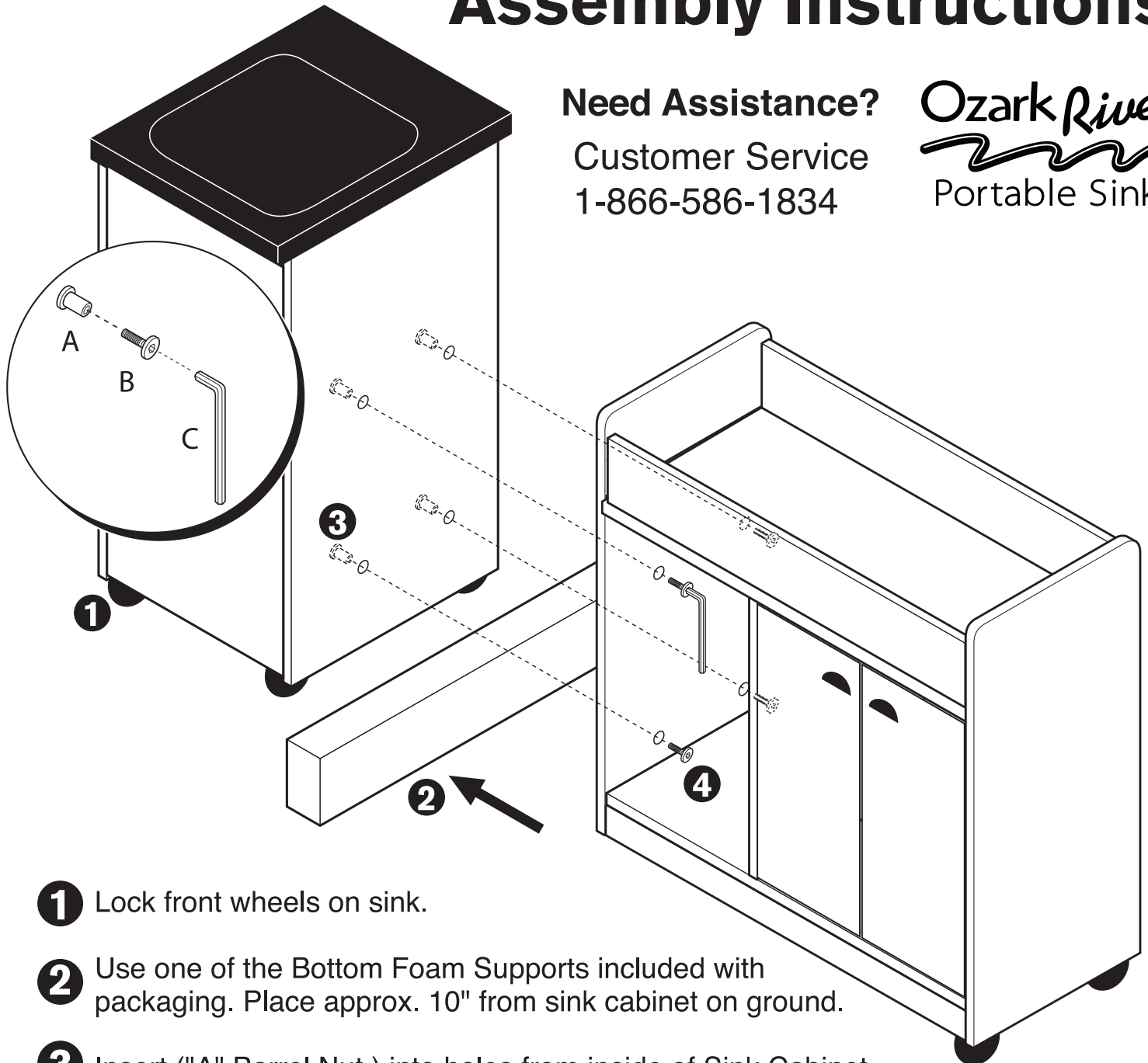


Assembly Instructions

Need Assistance?
Customer Service
1-866-586-1834

Ozark River
Portable Sinks™



- 1 Lock front wheels on sink.
- 2 Use one of the Bottom Foam Supports included with packaging. Place approx. 10" from sink cabinet on ground.
- 3 Insert ("A" Barrel Nut) into holes from inside of Sink Cabinet
- 4 While holding ("A") with left hand, insert ("B" Barrel Screw) and thread into ("A")
- 5 Repeat with other holes. Secure with ("C" Hex Wrench)
DO NOT overtighten, Make sure they fit securely. Be careful not to scratch surface.



Always Use Two People for Assembly!

⚠ CAUTION ⚠

Do not plug unit in while assembling!